



ELECTRICAL

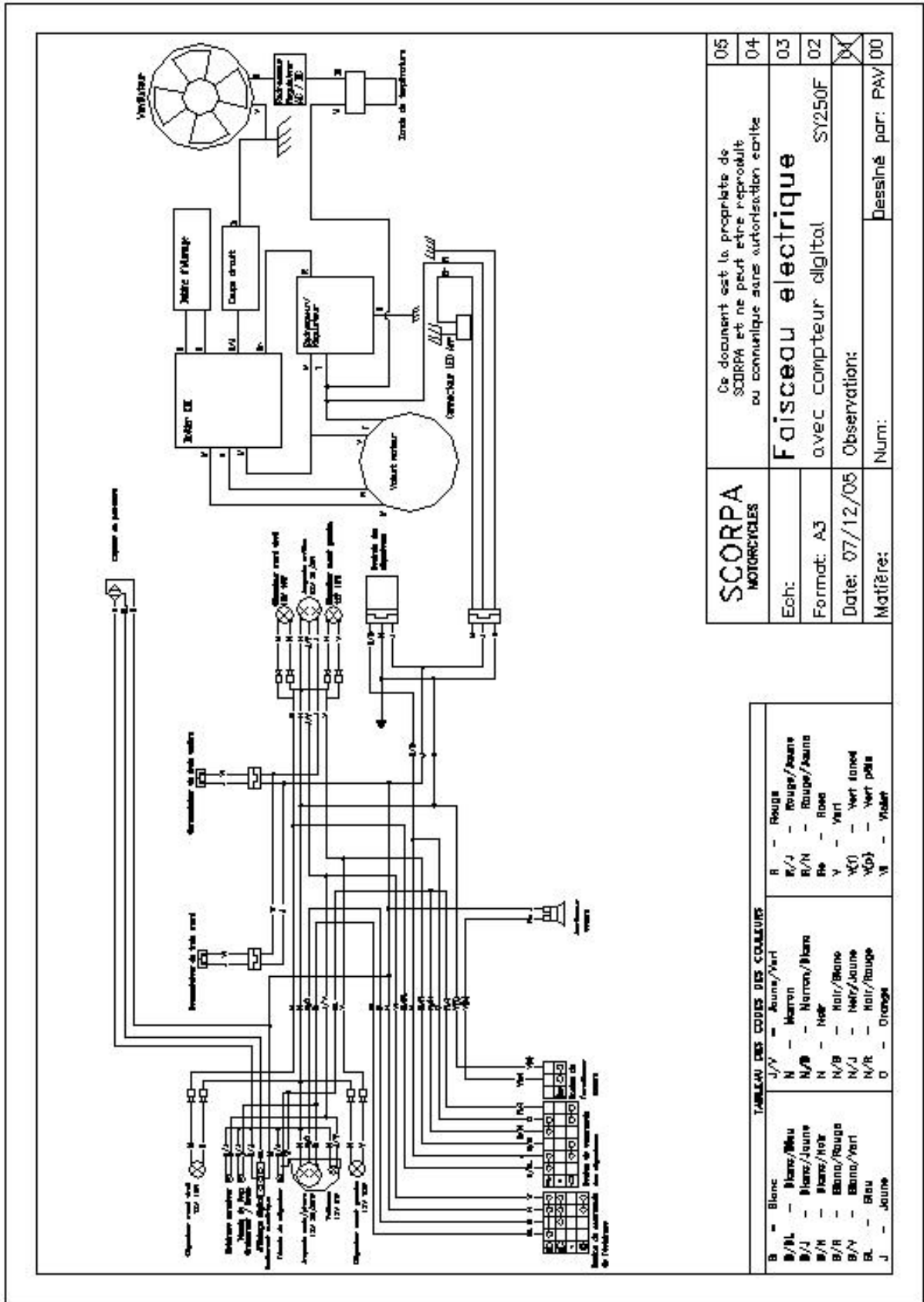


SUMMARY

1	ELECTRICAL	3
1.1	WIRING DIAGRAM	3
1.2	SPARK GAP TEST	4
1.3	LEADS AND IGNITION COIL CONNECTION INSPECTION	4
1.4	IGNITION COIL INSPECTION	5



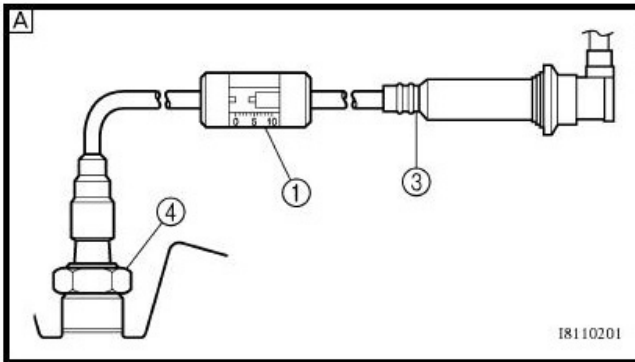
1 ELECTRICAL
1.1 Wiring diagram



SCORPA MOTORCYCLES	Ce document est la propriété de SCORPA et ne peut être reproduit ou communiqué sans autorisation écrite		05
			04
	Faisceau électrique		03
	Format: A3		02
Date: 07/12/05		Observation: SY250F	X
Matériau:		Num:	00
		Dessiné par: PAV	



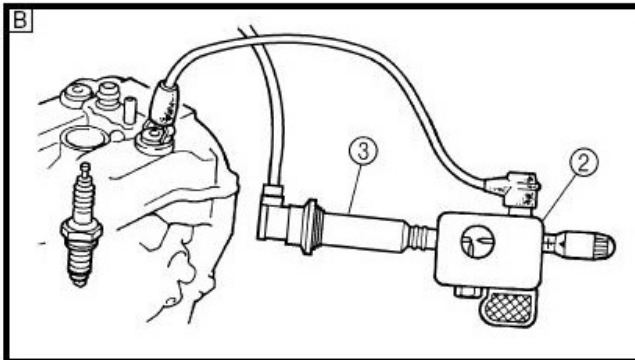
1.2 Spark gap test



1. Disconnect the spark plug cap from spark plug.
2. Remove the ignition coil cap.
3. Connect the dynamic spark tester ① (ignition checker ②) as shown.
 - Ignition coil ③
 - Spark plug ④

A For USA and CDN

B Except for USA and CDN

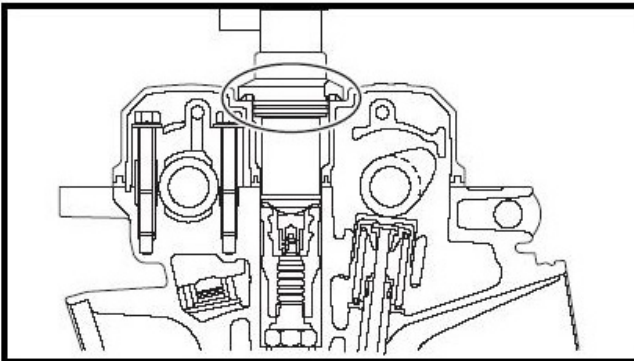


4. Kick the kickstarter crank.
5. Check the ignition spark gap.
6. Start engine, and increase spark gap until misfire occurs. (for USA and CDN only)



Minimum spark gap:
6.0 mm (0.24 in)

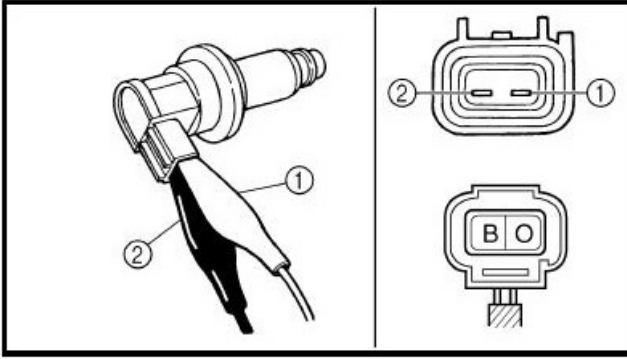
1.3 Leads and ignition coil connection inspection



1. Check:
 - Couplers and leads connection
Rust/dust/looseness/short-circuit → Repair or replace.
 - Ignition coil and spark plug as they are fitted
Push in the ignition coil until it closely contacts the spark plug hole in the cylinder head cover.



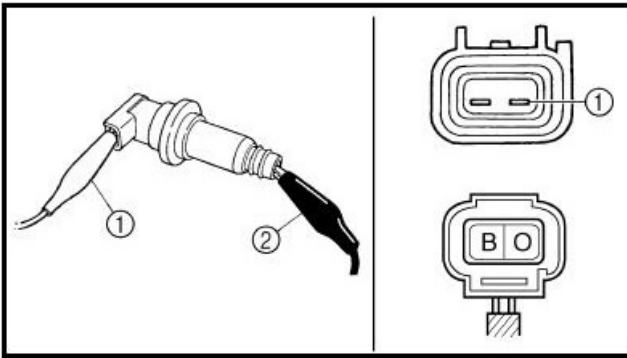
1.4 Ignition coil inspection



1. Inspect:
- Primary coil resistance
Out of specification → Replace.

Tester (+) lead → Orange lead ①
Tester (-) lead → Black lead ②

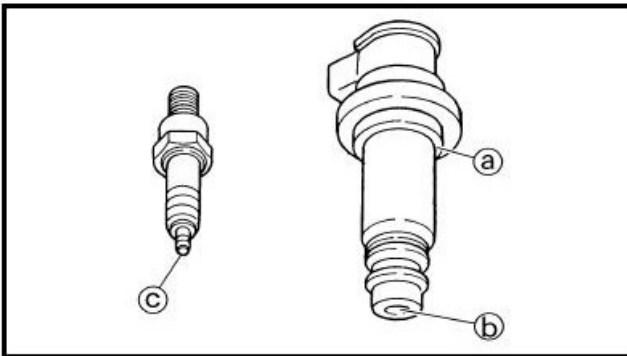
	Primary coil resistance	Tester selector position
	0.08 ~ 0.10 Ω at 20 °C (68 °F)	Ω × 1



2. Inspect:
- Secondary coil resistance
Out of specification → Replace.

Tester (+) lead → Orange lead ①
Tester (-) lead → Spark plug terminal ②

	Secondary coil resistance	Tester selector position
	4.6 ~ 6.8 kΩ at 20 °C (68 °F)	kΩ × 1



3. Inspect:
- Sealed portion of ignition coil (a)
 - Spark plug terminal pin (b)
 - Threaded portion of spark plug (c)
Wear → Replace.